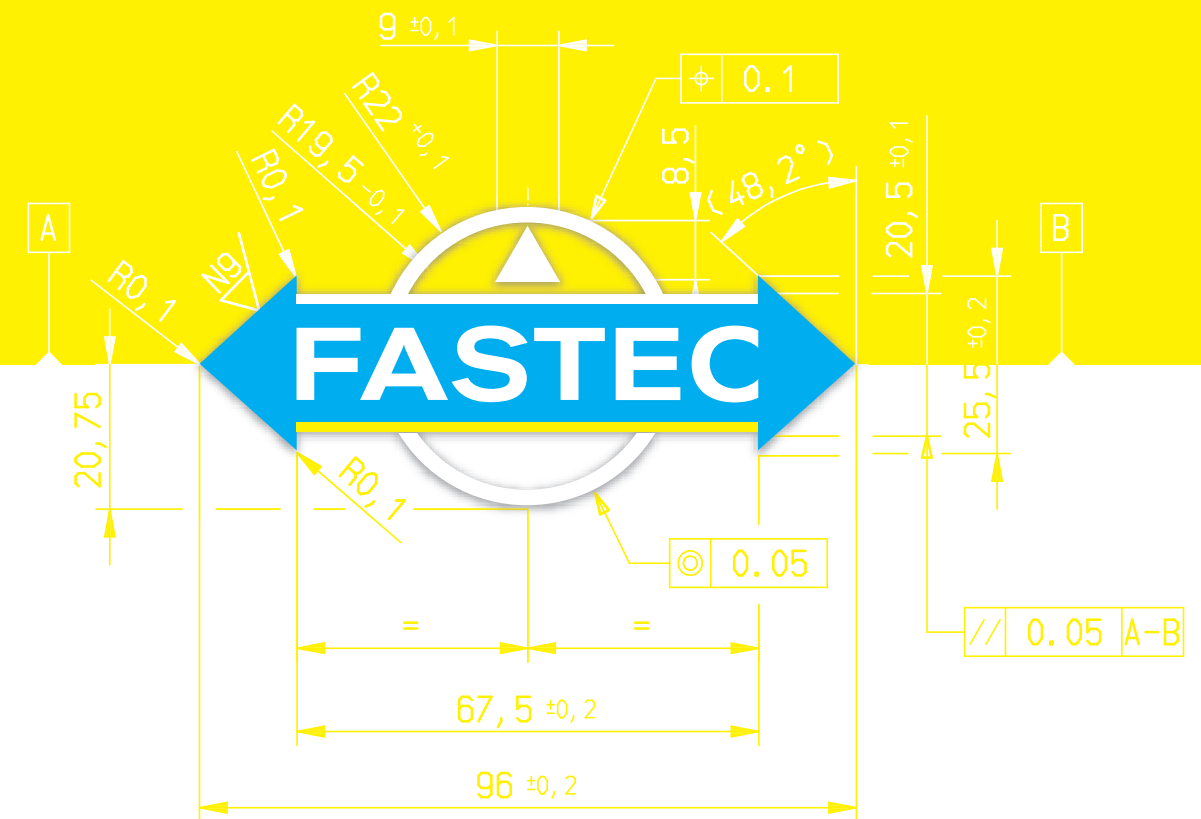
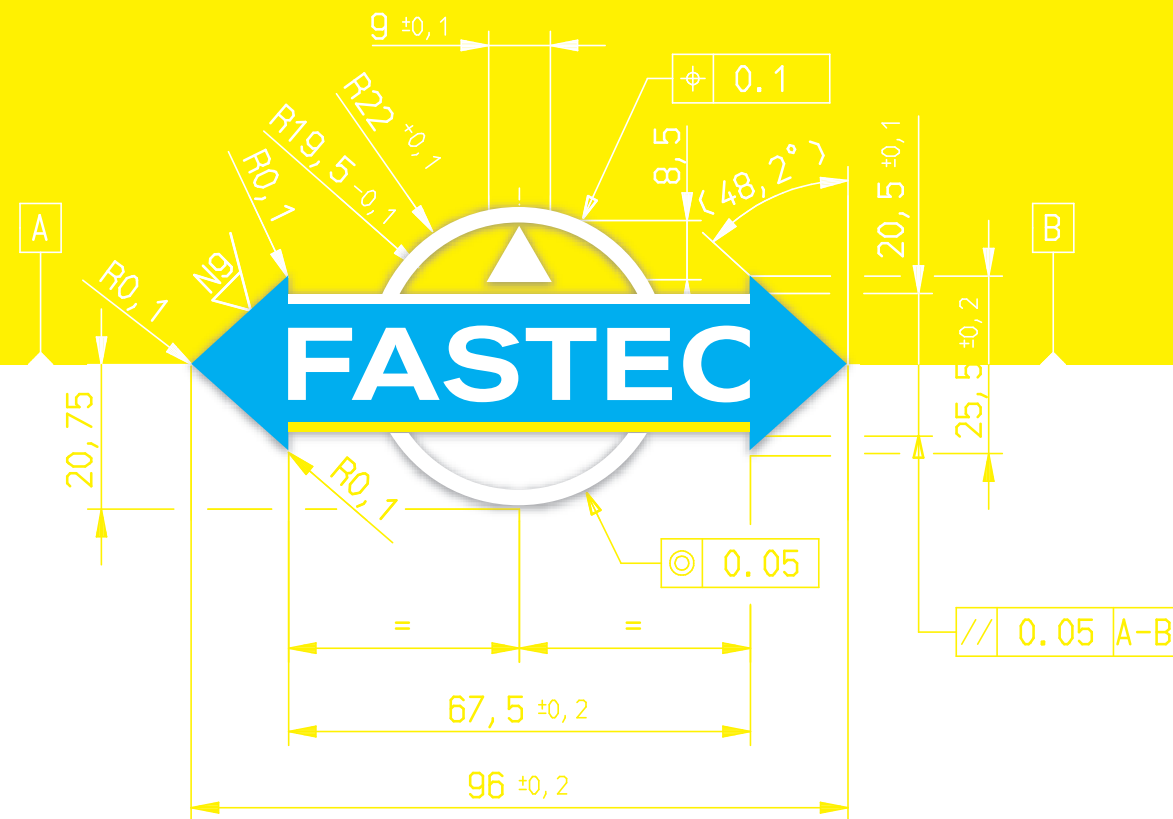


GIVE US A TRY! WE WILL WORK OUT A COMPREHENSIVE SOLUTION FOR YOU!



FASTEC ENGINEERS AND MANUFACTURERS:

High pressure technology up to 4000 bar

- Hydraulic bolt tensioners
- Hydraulic nuts
- Hydraulic pumps (manual, air and electric-driven)
- Hydraulic accessories (high pressure hoses, couplings, adaptors)
- Special hydraulic tools

Fastening systems

- Hydraulic fitting bolts
- Friction-locked shaft couplings
- Fast-lock fasteners
- And much more ...

SWISS MADE QUALITY

FASTEC products are subject to a permanent and strict quality control during manufacturing and final assembly.

This guarantees that all FASTEC products meet the highest expectations for a reliable function, even after years of hardest working conditions.

FASTEC AG
 INDUSTRIEZONE FON +41 41 875 78 30
 SCHÄCHENWALD FAX +41 41 875 78 31
 CH-6460 ALTDORF INFO@FASTEC.CH
 SWITZERLAND WWW.FASTEC.CH

Errors reserved. Data will change as developments occur. Only the latest state of the art design is decisive. Copyright as per standard DIN 34. IMAGE 2006 GB DESIGN BY WWW.BILLAGENTUR.CH

Connecting power.

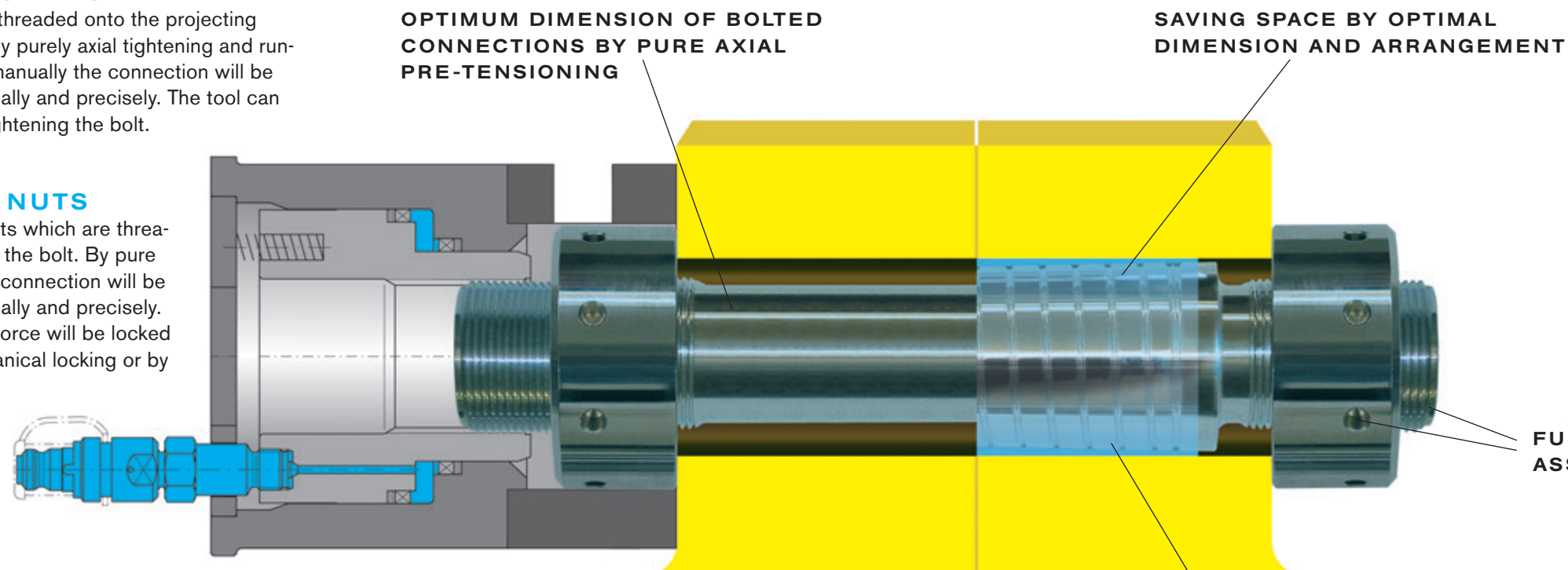
Connecting power.

BOLT TENSIONERS

are tools which are threaded onto the projecting thread of the bolt. By purely axial tightening and running down the nut manually the connection will be pre-tensioned optimally and precisely. The tool can be removed after tightening the bolt.

HYDRAULIC NUTS

are machine elements which are threaded onto the end of the bolt. By pure axial tightening, the connection will be pre-tensioned optimally and precisely. The pre-tensioning force will be locked by integrated mechanical locking or by hydraulic pressure.

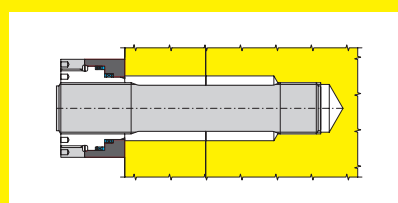


THE BOLT IS THE MOST UNDERESTIMATED MACHINE ELEMENT.

Only an optimally designed and assembled connection can tap the full potential. FASTEC is not a classic bolt supplier, but a competent and innovative partner of industry for all questions and problems in the field of fastening systems and high pressure technology. Using an integrated approach, which includes function, production and assembly from the beginning on, is the only way to achieve sustained success with a minimum of effort.

SPECIAL TOOLS AND DEVICES

We are challenged by all problems which cannot or can only be unsatisfactory solved with standard tools available on the market. Based on our experience of many years, we are in a position to design, offer and manufacture the most cost effective solution to meet any requirement with regard to the working environment, tensioning force and practical operation within shortest time.



HYDRAULIC NUTS ARE ALSO USED AS TOOLS FOR MOUNTING AND DISMOUNTING OF BEARINGS AND HUBS.

HYDRAULIC PUMPS AND ACCESSORIES

As a system supplier, we supply everything you need for your special case. Based on our wide experience in the range of high pressure technology and hydraulic tools, we provide a full compatible program of pumps, hoses, couplings, adaptors, assembly devices, transport boxes and much more from one source.



WHY DO YOU USE BOLTS ONLY?

We think about:

- conventional bolted connections
- combined frictional / positive locked connections
- friction-locked connections
- quick and removable connections
- and much more ...

INNOVATIVE SOLUTIONS

Basis of consideration is always the desired function of the connection. To achieve this with minimum effort. For that, we always have in mind: The best machine element is the one which does not exist. Based on years of experience in various fields of application we are able to apply already existing and field-tested solutions to new applications. On the other hand, we can find all new solutions by using an unconventional and creative way of thinking. FASTEC acts as a problem solver so that the customer can focus on its core competences.